



LANDSCAPE CATALOGUE

V 1.0

**SCAN
HERE!**



GROUND COVER

ITEM #	PRODUCT #	PRODUCT DESCRIPTION	SIZE	QTY
#1	621-GC4-KL	Ground Cover 3.5 oz	4' x 300'	1 roll
#2	621-GC6-KL	Ground Cover 3.5 oz	6' x 300'	1 roll
#3	621-GCX10-KL	PREMIUM Ground Cover 4oz	10' x 300'	1 roll
#4	621-GCX12-LR	PREMIUM Ground Cover 4oz	12' x 300'	1 roll
#5	621-GCX15-KL	PREMIUM Ground Cover 4oz	15' x 300'	1 roll



The use of this fabric can be of great benefit for gardens, soil stabilization, or road construction projects. There are many benefits of landscape fabric, but its main purposes are to separate soil, stabilize, drain, and filter water or runoff.

The following are the most popular uses for Landscape Fabric:

- Weed Barrier
- Erosion Control
- Yard Drainage
- Driveway & Path Stabilization
- Drain fields

RETAIL GROUND COVER

ITEM #	PRODUCT #	PRODUCT DESCRIPTION	SIZE	QTY
#6	624-BDGGC33050-BG	Ground Cover 3 oz	3' x 50'	24 rolls/cs
#7	624-BDGGC33100-BG	Ground Cover 3 oz	3' x 100'	15 rolls/cs



RETAIL WEED RESTRICTOR

ITEM #	PRODUCT #	PRODUCT DESCRIPTION	SIZE	QTY
#8	624-BDGP43025-BG	Landscape Fabric 4 oz	3' x 25'	14 rolls/cs
#9	624-BDGP43050-BG	Landscape Fabric 4 oz	3' x 50'	12 rolls/cs
#10	624-BDGP43100-BG	Landscape Fabric 4 oz	3' x 100'	6 rolls/cs

The woven fabric allows for air and water to seep in while protecting against unwanted weeds. Enjoy a weed free season by using this fabric to guard your landscapes against those troublesome weeds. Use in your landscape beds, gardens, under your deck, brick patio, sidewalk or behind retaining walls.



WEED RESTRICTOR

ITEM #	PRODUCT #	PRODUCT DESCRIPTION	QTY	QTY
#11	620-WRP3-KL	Weed Restrictor Plus 5 oz	3' x 250'	1 roll
#12	620-WRP4-KL	Weed Restrictor Plus 5 oz	4' x 250'	1 roll
#13	620-WRP6-KL	Weed Restrictor Plus 5 oz	6' x 250'	1 roll
#14	620-WRP8-KL	Weed Restrictor Plus 5 oz	8' x 250'	1 roll
#15	620-WRP12-KL	Weed Restrictor Plus 5 oz	12' x 250'	1 roll
#16	622-WRPX4-KL	Weed Restrictor PREMIUM 6 oz	4' x 250'	1 roll
#17	622-WRPX6-KL	Weed Restrictor PREMIUM 6 oz	6' x 250'	1 roll
#18	622-WRPX8-KL	Weed Restrictor PREMIUM 6 oz	8' x 250'	1 roll

CONSTRUCTION FABRIC

ITEM #	PRODUCT #	PRODUCT DESCRIPTION	SIZE	QTY
#19	623-EC8-KL	Non-Woven Construction Fabric 8 oz	12.5' x 360'	1 roll
#20	623-SS6-KL	Woven Construction Fabric 200lb Tensile	12.5' x 432'	1 roll



NON-WOVEN

Nonwovens offer excellent water flow and are most likely used as filter fabrics to prevent clogging of drainage systems.

Best used for:

- Heavy rip-rap/boulder retaining walls
- Separation for roads
- Slope reinforcement
- Shoreline erosion control

WOVEN

Woven monofilaments are typically used in shoreline erosion control or rip-rap applications.

Best used for:

- Embankment stabilization
- Roads and railways support
- Structural support for retaining walls
- Waste containment

LANDSCAPE STAPLES

ITEM #	PRODUCT #	PRODUCT DESCRIPTION	SIZE	PKG	QTY
#21	710-LS20C-BG	Landscape Staples	6"	20/pkg	1 each, 24 pkgs/cs
#22	710-LS50C-BG	Landscape Staples	6"	50/pkg	1 each, 24 pkgs/cs
#23	620-FP600-CW	Fabric Pins Bulk	6"	1000/pkg	1 each

Staples are pins made from low carbon, thick steel that holds the landscape fabric in place. Staples are also used to secure artificial grass, burlap netting, jute netting, and other materials on top of soil.



#21



#22

#23





UNIVERSAL GEOGRID

ITEM #	PRODUCT #	PRODUCT DESCRIPTION	SIZE	QTY
#24	650-GSRWU650-SR	Universal Geogrid	6 x 50	1 roll

Primarily, a geogrid is used for reinforcement applications in various types of construction projects but can be used for separation applications as well. They are open grids that allow the soil to strike through the apertures and the two materials interlock together to give composite behavior.

ADVANTAGES OF USING GEOGRIDS

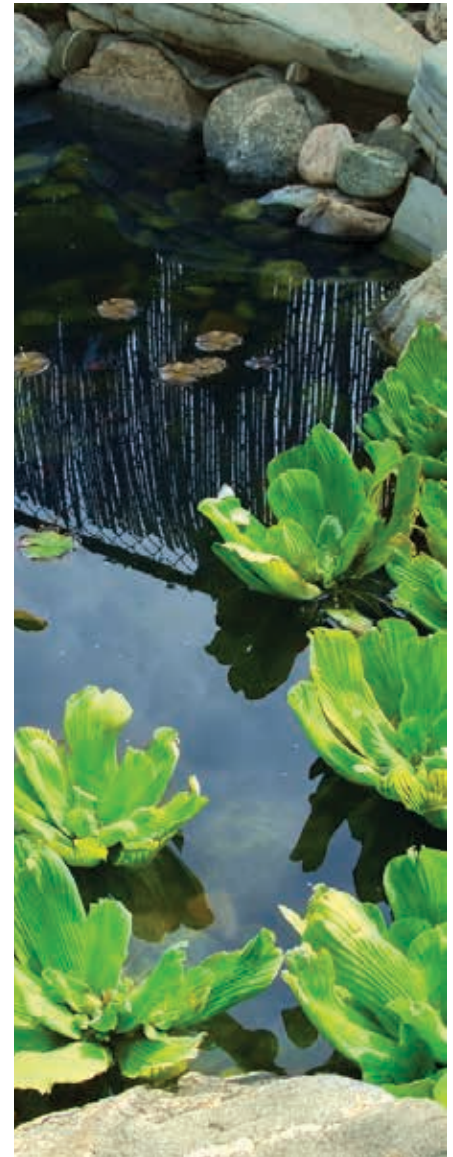
- Reduce the total cost of a project since apertures work with a wide variety of fill which allows the use of less expensive soils.
- Increase the speed of construction which can lead to a reduction in overall.
- They reduce the depth of excavation required.
- Provide enhanced safety and greater seismic durability by stabilizing slopes and increasing soil strength.

POND LINER

ITEM #	PRODUCT #	PRODUCT DESCRIPTION	SIZE	QTY
#25	630-PG10-FI	Pond Liner	10'	per sqft
#26	630-PG15-FI	Pond Liner	15'	per sqft
#27	630-PG20-FI	Pond Liner	20'	per sqft
#28	630-PG30-FI	Pond Liner	30'	per sqft
#29	630-PG40-FI	Pond Liner	40'	per sqft
#30	630-PG50-FI	Pond Liner	50'	per sqft
#31	631-PG10100-FI	Pond Liner	10' x 100'	1 roll
#32	631-PG15100-FI	Pond Liner	15' x 100'	1 roll
#33	631-PG20100-FI	Pond Liner	20' x 100'	1 roll
#34	631-PG30100-FI	Pond Liner	30' x 100'	1 roll
#35	631-PG40100-FI	Pond Liner	40' x 100'	1 roll
#36	631-PG50100-FI	Pond Liner	50' x 100'	1 roll

The fish pond liner has good flexibility, easy to bend and fold. You can cut it in various shapes to fit all irregular surfaces(e.g., waterfalls). The lifespan can live up to 50 years without any exposure and it can also last for ten years under intense sunlight.

This large pond liner is a perfect choice for agricultural or home use, such as water garden, fish pond, backyard waterfall, golf course, artificial lake, riverway, aquaculture farm, sloping side, rooftop, etc.



LANDSCAPE EDGING

ITEM #	PRODUCT #	PRODUCT DESCRIPTION	SIZE	BUNDLE INCLUDES	QTY
#37	600-7777KIT-WS	Lawn Edge Strip (Bulk)	20'	10 Strips, 40 Stakes & 10 Connectors	1 bundle
#38	600-7777RETAILKIT-WS	Lawn Edge Strip (Retail Kit)	20'	10 Strips (4 Stakes & 1 Connector per pkg) (10 Individual Packages)	1 bundle
#39	601-7777EDGINGPALLET-WS	Lawn Edging (Pallet)	20'	600 Strips, 2400 Stakes & 600 Connectors	1 pallet
#40	610-47215-MM	Brick Paver Edging	15'	15 Edgers/bundle Spikes sold separately	1 bundle
#41	610-EPBARBULK-GN	Barrier Brick Paver Edging	6'8"	24 Edgers/bundle Spikes sold separately	1 bundle

It gives you the flexibility to create circular or defined border in your landscaping. Engineered for durability and easy installation, it provides a clean, finished look around plants and garden beds. Works best on fairly even terrain.



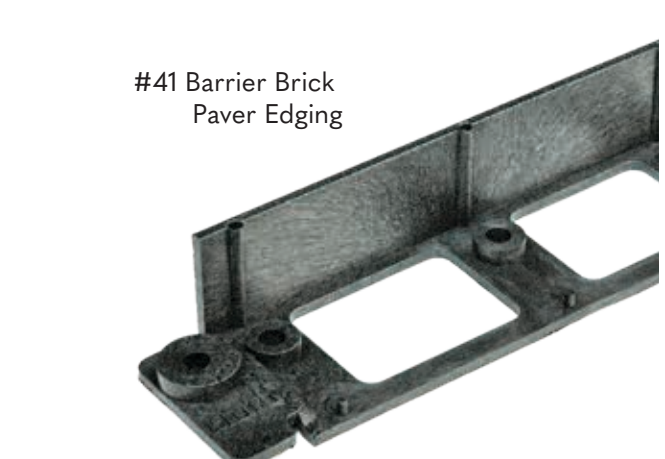
#37 Lawn Edge Strip (Bulk)
#39 Lawn Edging (Pallet)



#38 Lawn Edge Strip
(Retail Kit)
Stakes &
Connectors
Package



#40 Brick Paver Edging



#41 Barrier Brick
Paver Edging

STAKES & SPIKES

ITEM #	PRODUCT #	PRODUCT DESCRIPTION	QTY
#42	610-10008-WS	Steel Stakes for Edging	100/pkg
#43	610-HPLS10C150-GN	10" Steel Smooth Spikes (50 lb pkg)	166-160/pkg
#44	610-FCMST1250-SR	12" Steel Smooth Spikes (50 lb pkg)	120-125/pkg



#42 Steel Stakes For Edging



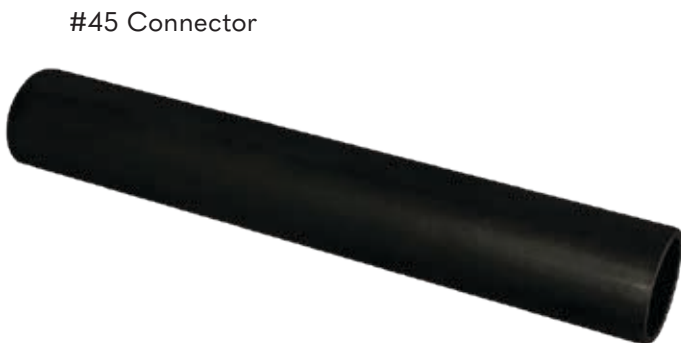
#43 10" Steel Smooth Spikes



#44 12" Steel Smooth Spikes

CONNECTORS

ITEM #	PRODUCT #	PRODUCT DESCRIPTION	QTY
#45	610-77773-WS	Lawn Edging Connector	1 each, 100/pkg
#46	610-10006-WS	Lawn Edging 90° Corner Connector	1 each, 25/pkg



#45 Connector



#46 90 Degree Corner Connector

DRIVERS

ITEM #	PRODUCT #	PRODUCT DESCRIPTION	QTY
#47	640-85008-MR	Kenyon 8" x 8" Tamp	1 each
#48	640-85623-MR	Seymour® 3" Square Tube Post Driver	1 each



#47 Kenyon
8" x 8"
Tamp



#48 Seymour®
3" Square
Tube Post
Driver



WHEEL BARROW

ITEM #	PRODUCT #	PRODUCT DESCRIPTION	QTY
#49	640-62041-TX	SX120F-XO Pro Contractor Wheelbarrow	1 each



#49



#50

MEASUREMENT

ITEM #	PRODUCT #	PRODUCT DESCRIPTION	QTY
#50	640-85714-MR	Kenyon Pro-Grade 4' Measuring Wheel	1 each

LANDSCAPE TOOLS

ITEM #	PRODUCT #	PRODUCT DESCRIPTION	QTY
#51	640-42100-MR	Seymour® Loop Hoe	1 each
#52	640-49042-MR	Seymour® Half Moon Turf Edger	1 each
#53	640-49334-MR	Seymour® 16 Ga. #2 Garden Spade	1 each
#54	640-49045-MR	Kenyon All-Steel Landscape Lighting Trencher/Edger	1 each



#51 Structron®
Loop Hoe



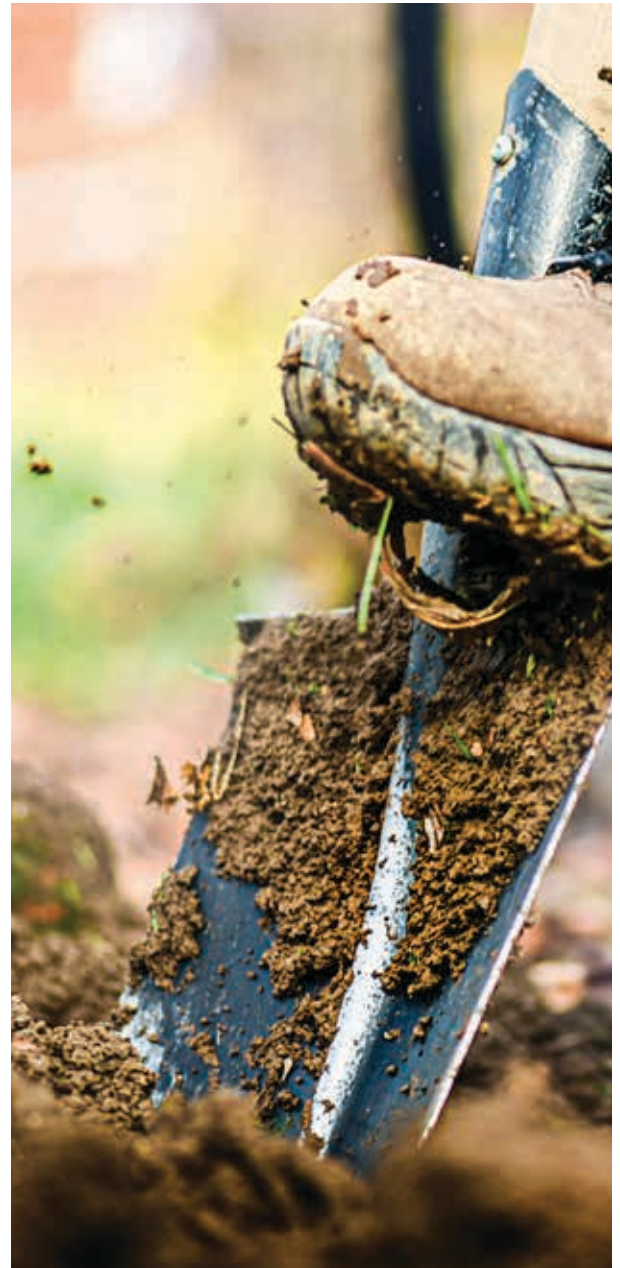
#52 Structron®
Half Moon



#53 Structron®
16 Ga.
#2 Garden Spade



#54 Kenyon
All-Steel
Landscape
Lighting



Use the right tool to get the job done. Not all tools are made equal. Special tools can help create cleaner lines, dig deeper, cut accurately, and most importantly helps projects move faster.

RAKES



#55 Midwest Rake®
24" Landscape Rake

Sizes Include:
30", 36", 42" & 48"



#60 Midwest Rake®
30" Light Lute/Rake

SOIL PREPARATION

Landscape rakes are often used to break up clumps of soil that might interfere with seeding and planting. Using progressively smaller landscape rakes can result in very fine soil surfaces.

SOIL LEVELING

Soil leveling is important if planting a large expanse of grass, such as in a park or an athletic field.

SOIL GRADING

A very important element in all landscaping construction to prevent damages to homes and buildings and surrounding walkways, driveways, and roads. It can also improve plant health and water drainage issues.

DEBRIS REMOVAL

Wider landscape rakes can be useful when cleaning up after tree or shrub pruning. The hard tines can trap stiff branches and twigs and help to stack them for collection.

WEEDING

A small landscape rake can help to remove weeds between garden rows. It can either remove larger weeds or help you to gather weeds cut with a hoe.

LIVESTOCK STALL CLEANING

A landscape rake sometimes is a good tool for hooking the soiled straw and pulling it from the livestock stall.

ITEM #	PRODUCT #	PRODUCT DESCRIPTION	SIZE	QTY
#55	640-12024-MR	Midwest Rake® Landscape Rake	24"	1 each
#56	640-12030-MR	Midwest Rake® Landscape Rake	30"	1 each
#57	640-12036-MR	Midwest Rake® Landscape Rake	36"	1 each
#58	640-12042-MR	Midwest Rake® Landscape Rake	42"	1 each
#59	640-12048-MR	Midwest Rake® Landscape Rake	48"	1 each
#60	640-56002-MR	Midwest Rake® Light Lute/Rake	30"	1 each



ITEM #	PRODUCT #	PRODUCT DESCRIPTION	SIZE	QTY
#61	640-1611 4-MR	Midwest Rake® Mini Landscape Rake	14"	1 each
#62	640-16117-MR	Midwest Rake® Mini Landscape Rake	17"	1 each
#63	640-42390-MR	Structron® Level Head Rake	16"	1 each
#64	640-42366-MR	Structron® Tine Bow Rake	16"	1 each
#65	640-40928-MR	Structron® Leaf Rake	22"	1 each

SHOVELS



#66 Structron®
#12 Aluminum
Grain Scoop



#67 Structron®
14 Ga.
#2 Round Point

DIGGING SHOVELS

- 1. Square Digger:** Used for transplanting, trenching and edging.
- 2. Round Digger:** Made for digging softer soils and transplanting purposes.
- 3. Pointed Digger:** Fits very well in terms of dealing with rock-filled soils.
- 4. Post Hole Digger:** Used for penetrating loose and tilted soil.

TRENCH SHOVEL

A sharp curve at the end and a long narrow blade which helps them to penetrate into any type of soil. The sharp curve helps to enter any type of soil with minimum effort.

TREE PLANTING SHOVEL

Used in preparing the soil for plantation purposes. The ones with longer shafts are used for flat grounds and those with shorter shafts are made for sloped lands.

FLAT SHOVEL

Incredibly helpful for scooping up materials from the soil. The flat shovel is the choice for removing or cleaning trenches. Works great while digging in soft soil.

SCOOP SHOVEL

For scooping up materials, more specifically moving loose soil.

ITEM #	PRODUCT #	PRODUCT DESCRIPTION	QTY
#66	640-49069-MR	Structron® #12 Aluminum Grain Scoop (Fiberglass with D-grip)	1 each
#67	640-49561-MR	Structron® 14 Ga. #2 Round Point (Fiberglass with D-grip)	1 each



#68 Seymour®
16 Ga.
Round Point
Shovel



#69 Seymour®
#2 Square Point
Shovel

ITEM #	PRODUCT #	PRODUCT DESCRIPTION	QTY
#68	640-49150-MR	Seymour® 16 Ga. Round Point Shovel (Wood)	1 each
#69	640-49152-MR	Seymour® #2 Square Point Shovel (Wood)	1 each
#70	640-49151-MR	Seymour® D-Grip 16 Ga. Round Point Shovel (Wood)	1 each
#71	640-49162-MR	Seymour® #2 D-Grip Square Point Shovel (Wood)	1 each
#72	640-49452-MR	Seymour® 16ga. #2 Square Point (Fiberglass)	1 each



#70 Seymour®
D-Grip 16 Ga.
Round Point
Shovel



#71 Seymour®
D-Grip
Square Point
Shovel



#72 Seymour®
16 Ga.
#2 Square Point

BROOMS



#73 Seymour®
18" Street/Landscape
Broom



#74 Seymour®
24" Street/Landscape
Broom



#75 Structron®
24" Duo Broom

For sweeping heavy debris such as rocks. Helps to loosen caked-on mulch, dried up mud and other stubborn residues as the bristles sit solidly in wood. These type of brooms help create texture on concrete to provide a less slippery surface, especially in areas where water may pool or make contact in heavy foot traffic.

ITEM #	PRODUCT #	PRODUCT DESCRIPTION	SIZE	QTY
#73	640-82918-MR	Seymour® Street/Landscape Broom	18"	1 each
#74	640-82018-MR	Seymour® Street/Landscape Broom	24"	1 each
#75	640-82104-MR	Structron® Duo Broom	24"	1 each



POLYMERIC SAND

ITEM #	PRODUCT #	PRODUCT DESCRIPTION	COLOUR	QTY
#76	640-SSANMNPAVZ3GRA-SR	Pavermate Z3 Polymeric Sand	Granite	1 each
#77	640-SSANMNPAVZ3TAN-SR	Pavermate Z3 Polymeric Sand	Tan	1 each

Polymeric Sand increases the durability of the entire surface of the landscaped area. This minimizes the opportunity for water to seep below the surface of the interlocking pavers and into the sand and/or crushed stone foundation below.

Combined with additives that form a binding agent when exposed to water. Silica is an additive and is often used to help lock the fine sand particles together. As the sand particles fuse, the joint between two patio pavers becomes impenetrable and the pavers are locked in place.



PAVER SAW BLADES

ITEM #	PRODUCT #	PRODUCT DESCRIPTION	QTY
#78	640-BPPC12-SR	12" Paver Plus Turbo Diamond Blade	1 each
#79	640-BPPC14-SR	14" Paver Plus Turbo Diamond Blade	1 each

The synthetic diamond materials are mixed with other materials such as iron or steel to form the right blade with outstanding diamond segments along the cutting edge.

Suitable for cutting a wide variety of materials, including concrete, pavers, reinforced concrete and natural stone as well as nearly any other type of building material.

ADHESIVE

ITEM #	PRODUCT #	PRODUCT DESCRIPTION	SIZE	QTY
#80	640-CSF8-SR	Dispenser Spray Cleaner	16 oz	1 each
#81	640-ASF8-SR	Spray Foam Adhesive	24 oz	1 each
#82	640-A28-SR	Retaining Wall & Paver Adhesive	28 oz	1 each, 12/cs

Solvent-Based Adhesive is the strongest adhesive of its kind. It is formulated for retaining walls, pavers, block, masonry, concrete, aluminum, steel and the most commonly used in landscaping materials.



MARKING PAINT

ITEM #	PRODUCT #	PRODUCT DESCRIPTION	QTY
#83	640-247W-LE	20oz Orange Inverted Marking Paint	1 each, 12/cs

Designed for marking gravel, grass, dirt, asphalt, concrete, rock and more. It is ideal for use in a variety of industries including utility location, surveying, excavation, construction, golf courses, landscaping, mining, and HVAC.

BYPASS LOPPER

ITEM #	PRODUCT #	PRODUCT DESCRIPTION	QTY
#84	640-41417-MR	Kenyon 28" Bypass Lopper	1 each

Provide the cleanest cut on live wood, allowing the plant to heal more quickly. These blades last longer and are less likely to nick, bend, or need frequent sharpening.



LAWN ROLLER

ITEM #	PRODUCT #	PRODUCT DESCRIPTION	QTY
#85	640-215BXR-SE	24" Lawn Roller	1 each

FOR SEED

After you have tilled the ground and spread seed, you can use your lawn roller to roll the soil and make sure the seeds make contact.

Rolling after seeding helps press the seed into the soil so that it doesn't blow or wash away, and it also expedites the seed's germination process.

REPAIRING DAMAGE

If your lawn has been hit with frost heaves or mole hills, you can use a lawn roller to repair the damage. You can use a heavy lawn roller to compress hills and tunnels.

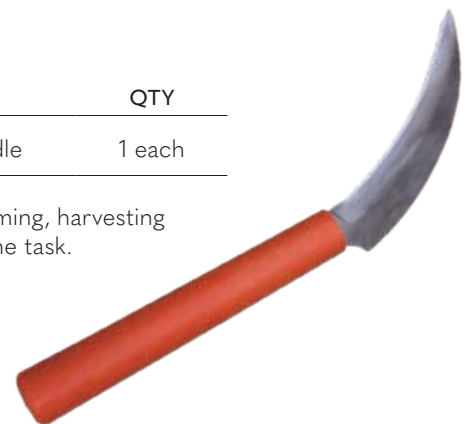
This method will help prevent the air pockets created from the damage from drying out the grass roots.



CUTTER

ITEM #	PRODUCT #	PRODUCT DESCRIPTION	QTY
#86	640-41418-MR	Kenyon 4" Sickle / Sod Cutter 6" Polymer Handle	1 each

Kenyon Sickle/Sod cutter with 4" steel blade and 6" polymer handle. Whether you are trimming, harvesting or clearing brush, Seymour Midwest has a high-quality knife or machete that is ready for the task.



CORRUGATED TREE PROTECTORS

ITEM #	PRODUCT #	PRODUCT DESCRIPTION	SIZE	QTY
#87	3500-224-NE	Corrugated Tree Protector	2" x 24"	126/cs
#88	3500-230-NE	Corrugated Tree Protector	2" x 30"	126/cs
#89	3500-236-NE	Corrugated Tree Protector	2" x 36"	126/cs
#90	3500-336-NE	Corrugated Tree Protector	3" x 36"	50/cs

Protect your trees from weather, animal life, and yard maintenance equipment. Using these flexible but also tough polyethylene tree protectors will not girdle your trees and will allow air circulation for the overall health of the tree. Can be used in multiples for larger trees.



TREE TIES

ITEM #	PRODUCT #	PRODUCT DESCRIPTION	SIZE	QTY
#91	610-30220-MM	Chainlock Tree Ties (Retail Pack)	1/2" x 20'	1 each, 12/cs
#92	610-30200-MM	Chainlock Tree Ties	1/2" x 100'	1 each, 6/cs
#93	610-35200-MM	Chainlock Tree Ties	1" x 100'	1 each, 5/cs

This chainlock tree helps support, protects and anchors trees to ensure straight natural growth and prevent root damage from wind and weather.



#91



#92



#93

TREE STAKES

ITEM #	PRODUCT #	PRODUCT DESCRIPTION	QTY
#94	650-7HDTS-KL	7' Heavy Duty Tree Stake Green	1 each
#95	650-WTSLRG-PW	2"x7' Wood Tree Stakes	1 each

A stake will help keep the tree stable and let the roots grow into the soil. Aside from helping stabilization, a tree stake can also act as a barrier and protect the tree and it's roots from lawn equipment or even vandalism.



#94



#95

#96



TREE WATERING BAGS

ITEM #	PRODUCT #	PRODUCT DESCRIPTION	QTY
#96	3500-TREEBAG-GT	20 Gallon Tree Watering Bag	1 each

- Typically requires re-filling just once every 5 to 7 days for most applications.
- Easily installed and filled in less than 5 minutes with no tools required.
- Slowly and continuously waters over a 5 to 9 hour time period.
- Deep water saturation promotes deep root growth and reduces transplant and drought shock.

FERTILIZER

ITEM #	PRODUCT #	PRODUCT DESCRIPTION	QTY
#97	520-G98355-IC	Agriform Planting Tablets (20-10-5) with micronutrients	500/cs

Safe and convenient, scientifically complete plant food. When placed in the root zone, nutrients aren't used up by unwanted plants and weeds. They do not dissolve but are broken down with the help of soil bacteria that convert the nutrients to a form that can be absorbed by plant roots. Tablets last longer and resist leaching into the groundwater. Perfect for any Christmas Tree Farmer or orchard planting a new crop.



#97



Special advantages of Agriform:

- Proven excellent results
- Safe, easy to handle and convenient
- Tablets feed for up to two (2) years in most climates. This reduces labor and materials for reapplications.
- The simplicity of pre-measured tablets ensures uniform and adequate fertilization.
- Supervisory time is reduced. Count and placement of tablets ensures uniform and adequate fertilization.
- Root zone placement eliminates feeding surface rooted weeds and grass. No surface residue to wash away.
- Leach-resistant properties of tablets protect underground water from pollution.
- Agriform is best used for high volume plantings such as in re-vegetation projects as it is simple to use and great in the heavier soils.





**HJSWHOLESALE.COM | (204) 668-8360 | FAX (204) 667-1775
330 TRANSPORT ROAD | WINNIPEG | SUNNYSIDE | MB | R5R 0J5**